

## D-Link ANT24-1400

# 14 dBi High Gain Directional Panel Antenna



- **14 dBi Signal Gain**
- **2.4GHz Frequency Range**
- **Swivel Mount for Directional Orientation**
- **Includes Cable that Converts N-Female to Reverse SMA**
- **Made with Weatherproof and Corrosion Resistant Material**

## Indoor/Outdoor 14 dBi High Gain Directional Panel Antenna

The D-Link ANT24-1400 connects to the DWL-900AP+, DI-614+, DI-714P+, DWL-900AP, DI-714 and DI-713P to extend the range of coverage for the wireless network.

The D-Link ANT24-1400 antenna provides extended coverage for an existing 802.11b wireless local area network (WLAN). The D-Link ANT24-1400 comes with a conversion cable that allows connection directly to the D-Link DWL-900AP+ wireless access point, DI-614+ wireless router, DI-714P+ wireless router, DWL-900AP wireless access point, DI-714 wireless router and the DI-713P wireless router Rev C1 or later wireless broadband router.

This product includes the following items: Mounting Kit, Lightning Surge Protector and Conversion Cable.

The D-Link ANT24-1400 requires an access point or wireless broadband gateway with a reverse SMA connector. The D-Link ANT24-1400 comes with a conversion cable that allows connection directly to the DWL-900AP+ wireless access point, DI-614+ wireless router, DI-714P+ wireless router, DWL-900AP wireless access point, DI-714 wireless router and the DI-713P wireless router Rev C1 or later wireless broadband router.

*Note: To obtain optimal results in extending wireless range with outdoor antenna installations, it is recommended that professional installer service is consulted for site survey and and proper installation.*

### The D-Link ANT24-1400 Includes

Antenna  
Mounting Kit  
Conversion Cable  
Lightning Surge Protector

# Technical Specifications

## Electrical Specifications

**Frequency Range**

2.3-2.5GHz

**Gain**

14 dBi

**VSWR**

1.5:1 Max

**Polarization**

Linear, vertical

**HPBW**

- horizontal - 30°
- vertical- 30°

**Front to Back Ratio**

15 dB

**Downtilt**

0°

**Power Handling**

50W (cw)

**Impedance**

50 Ohms

**Connector**

N female

**Cable**

(N-male to RP-SMA plug) - 1.5 feet - 0.83db lost per meter

## Environmental & Mechanical Characteristics

**Temperature**

-40°F to 176°F ( -40°C to 80°C)

**Humidity**

100% @ 77°F (25°C)

**Lightning Protection**

DC ground

**Radome Color**

Gray-white

**Radome Material**

ABS, UV resistant

**Weight**

1.82 lbs (0.825kg)

**Dimensions**

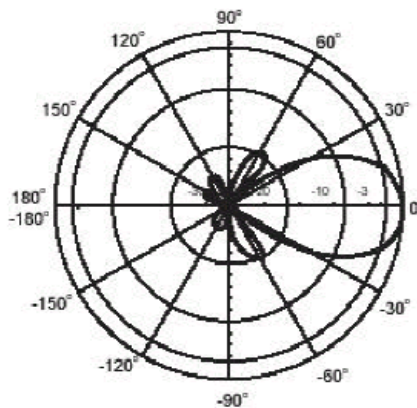
9.45 x 9.45 x 2.74 in. (240 x 240 x 69.5 mm)

**Survival Wind Speed**

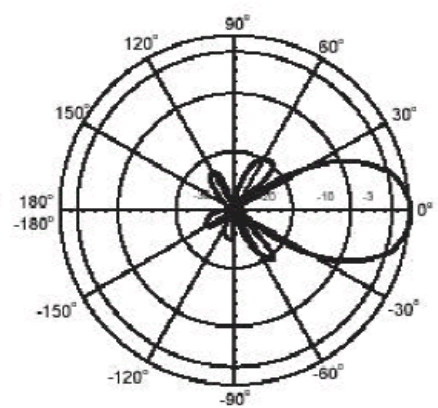
112 miles/hr

**Warranty**

1 Year



Horizontal



Vertical

