

## D-Link Ant24-1500

### Outdoor Omni-Directional Antenna



- 15 dBi Signal Gain
- 2.4GHz Frequency Range for 802.11 b/g Application
- Omni-Directional, Best for PtMP (Point to Multi-Point) Bridging
- Water Proof for Outdoor Use

### Outdoor 15dBi Omni-Directional Antenna

The D-Link ANT24-1500 connects to the DWL-900AP+, DI-714, DI-713P, DWL-2000AP, DWL-1700AP AND DWL-1750.

The D-Link ANT24-1500 antenna provides extended coverage for an existing 802.11b/g wireless local area network (WLAN\*). The D-Link ANT24-1500 with a conversion cable that allows connection directly to the DWL-900AP+ wireless router, DWL-900AP+ wireless access point, DI-614+ wireless router, DI-714P+

wireless router, DWL-900AP wireless access point, DI-714 wireless router and the DI-713P wireless router Rev C1 or later wireless broadband router.

The D-Link ANT24-1500 requires an access point or wireless broadband gateways with a reverse SMA connector. The D-Link ANT24-1500 includes a conversion cable that allows connection directly to the supported D-Link wireless access points and routers.

#### The D-Link ANT24-1500 Includes

Antenna  
Manual  
DHF Extension Cable  
Mounting Kit  
Water Proof Tape

\* Use of this antenna may require FCC approval

**Electrical Specifications**

**Frequency Range**

2.4-2.5GHz

**Gain**

15dBi

**VSWR**

1.5:1

**Polarization**

Linear, vertical

**HPBW**

horizontal -360

vertical -5

**Power Handling**

50W (cw)

**Impedance**

50 Ohms

**Connector**

N-female

**DHF extension Cable**

(N-male to RP-SMA plug)

-3 meters

**Environmental & Mechanical Characteristics**

**Temperature**

-40°F to 176°F ( -40°C to 80°C)

**Humidity**

100% @ 77°F(25°C)

**Lightning Protection**

DC ground

**Radome Material**

Fiberglass

**Radiator Material**

Micro Stripe line

**Antenna Weight**

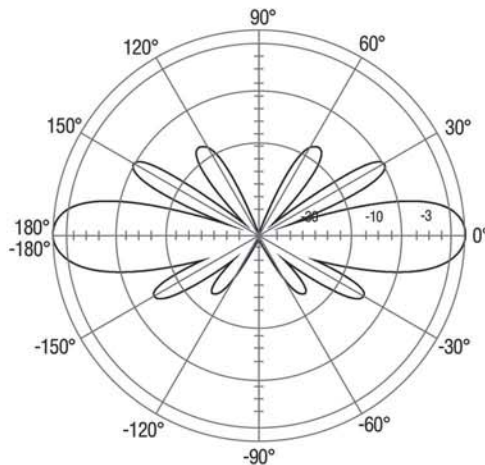
750g ± 20g

**Dimensions**

165 inches (length)

**Warranty**

1 Year



**D-Link**®

[www.dlink.com](http://www.dlink.com)

D-Link Systems, 53 Discovery Drive  
Irvine, CA 92618 • 949.788.0805