

— ANT24-2100

21dBi High Gain 2.4GHz Conner Antenna

This antenna can be used to improve the transmission rate and extend the transmission range of your wireless LAN device operating on the 2.4GHz frequency range. They can be installed in a device equipped with an N Type connector.

The antenna provides a very high Gain of 21dBi to give you an extended operating range. To achieve a desired operating range and transmission rate, antennas of the same Gain (21dBi) should be installed at both the transmission and reception ends. Transmission distances can vary according to the transmission speeds.

Features

- Frequency: 2.4- 2.5 GHz
- Antenna type: Conner
- Gain: 21dBi
- Connector type: NType female
- VSWR: smaller or equal to 1.5
- Impedance: 50 +/- 5 ohm
- Withstanding power: 50 watts max.
- Weight: 2700 grams
- Length: 610 mm
- Power surge protection provided

Ordering Information

2.4GHz Antenna
ANT24-2100

21dBi Conner Antenna



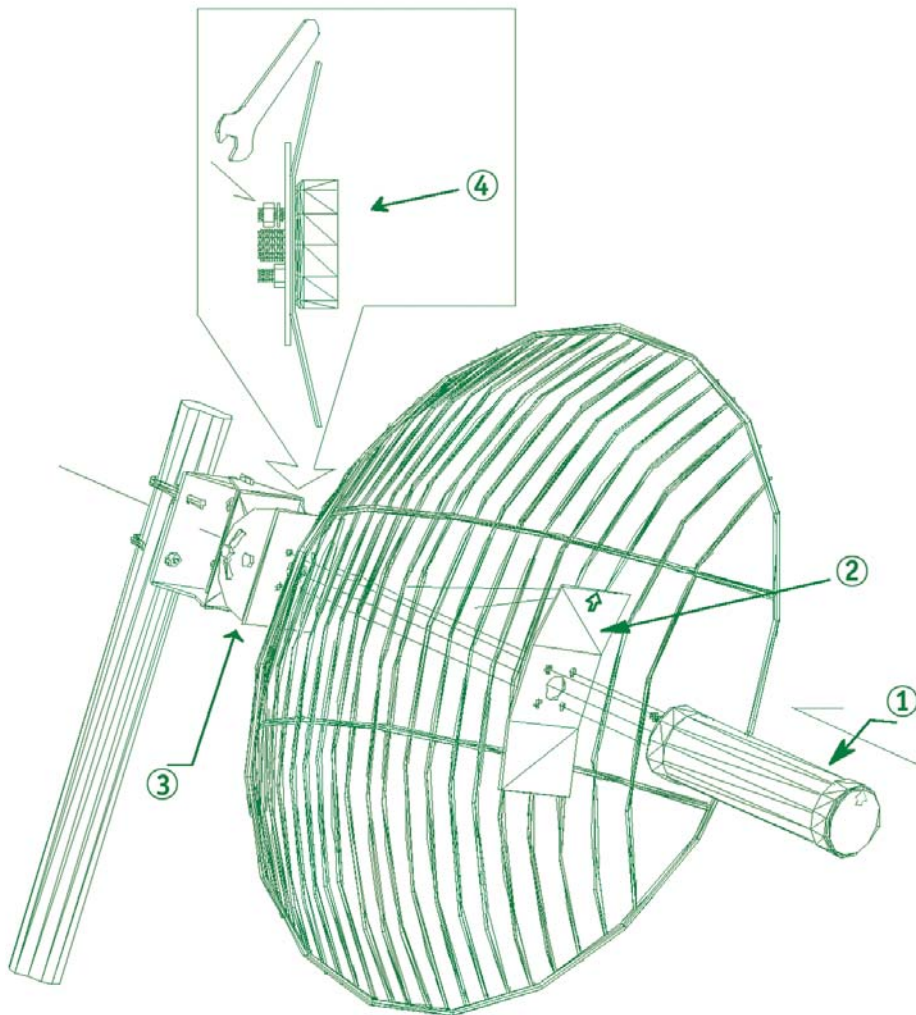
Specifications subject to change without prior notice.
D-Link is a registered trademark of D-Link Corporation/D-Link System Inc. All other trademarks belong to their proprietors.

U.S.A	TEL: 1-949-788-0805	FAX: 1-949-753-7033
Canada	TEL: 1-905-8295033	FAX: 1-905-8295095
Europe	TEL: 44-20-8731-5555	FAX: 44-20-8731-5511
Germany	TEL: 49-6196-77990	FAX: 49-6196-7799300
France	TEL: 33-1-30238688	FAX: 33-1-30238689
Benelux	TEL: 31-10-2045740	FAX: 31-10-2045880
Italy	TEL: 39-2-2900-0676	FAX: 39-2-2900-1723
Iberia	TEL: 34-93-4090770	FAX: 34-93-4910795
Sweden	TEL: 46-(0)8564-61900	FAX: 46-(0)8564-61901
Norway	TEL: 47-22-309075	FAX: 47-22-309085
Denmark	TEL: 45-43-969040	FAX: 45-43-424347
Finland	TEL: 358-9-2707-5080	FAX: 358-9-2707-5081
Singapore	TEL: 65-6774-6233	FAX: 65-6774-6322
Australia	TEL: 61-2-8899-1800	FAX: 61-2-8899-1868
Japan	TEL: 81-3-5434-9678	FAX: 81-3-5434-9868
China	TEL: 86-10-8518-2533	FAX: 86-10-8518-2250
India	TEL: 91-22-652-6696	FAX: 91-22-652-8914
Egypt	TEL: 202-62-44615	FAX: 202-62-44583
UAE	TEL: 971-4-3916480	FAX: 971-4-3908881
Turkey	TEL: 90-212-335-2525	FAX: 90-212-335-2500
Israel	TEL: 972-9-9715700	FAX: 972-9-971-5601
Chile	TEL: 56-2-232-3185	FAX: 56-2-232-0923
Brasil	TEL: 55-11-3094-2910	FAX: 55-11-3094-2921
South Africa	TEL: 27(0)1266-52165	FAX: 27(0)1266-52186
Russia	TEL: 7-095-737-3389	FAX: 7-095-737-3390
Taiwan	TEL: 886-2-2910-2626	FAX: 886-2-2910-1515
D-Link Corp.	TEL: 886-2-2916-1600	FAX: 886-2-2914-6299



RECYCLABLE
Rev. 02 (May 2003)

D-Link ANT24-2100 Outdoor Grid Antenna



Frequency band	2400-2500MHz
Antenna gain	21dBi
VSWR	1.5 max
Polarization	Vertical
HPBW / H-plane	8°
HPBW / E-plane	5°
Impedence	50 ± Ohms
Dimensions	15cm x 61cm Diam.
Weight	2700g ± 10g

Package Contents:

- ANT24-2100 Antenna
- DHF extension cable(3m, N male/RP-SMA)
- Mounting kit
- Waterproof tape
- Quick Installation Guide