



## DAY & NIGHT PoE DOME NETWORK CAMERA

### POWER OVER ETHERNET

An internal Power over Ethernet (PoE) module reduces costs and simplifies installation

### AROUND THE CLOCK SURVEILLANCE

A CCD sensor with low-lux sensitivity produces high quality images in variable lighting conditions

### DUAL-STREAM SUPPORT

Simultaneous dual-streaming for live monitoring and recording

### POWERFUL 24 HOUR SURVEILLANCE

D-Link's DCS-6410 Day & Night PoE Dome Network Camera is designed for round-the-clock surveillance. A CCD (Charged-coupled Device) sensor delivers high-quality images without distortion, while mounted infrared LEDs allow for nighttime monitoring over distances of up to 49 feet (15 meters). These elements make the DCS-6410 an ideal camera for indoor surveillance applications in homes, offices and business facilities.

### HIGH-QUALITY VIDEO MONITORING

The DCS-6410 supports simultaneous dual-streaming for live monitoring and recording, and delivers excellent video quality. Embedded with a powerful SoC (System-on-Chip), the camera provides high-quality, real-time video compression in MPEG-4 and motion JPEG formats. D-ViewCam, the free, bundled software capable of recording and displaying 32 channels allows you to reliably monitor and record high-quality images. Leverage the camera's built-in Samba client to directly transfer images and videos to a NAS without the need for any additional hardware or software.

### CLEAR, SHARP IMAGES FROM EVERY ANGLE

The dome-shaped DCS-6410 provides for greater viewing angles making it ideal for monitoring narrow spaces like elevators. The camera is capable of recording in MPEG-4 and motion JPEG compression with D1/CIF/QCIF resolution for smoother performance. Images are delivered at a maximum resolution of D1 at up to 30 frames per second.

### SURVEILLANCE ON THE GO<sup>1</sup>

The DCS-6410 supports 3GPP mobile surveillance. A live feed from the camera can be accessed on a 3G cellular network using a compatible cell phone, PDA or any device capable of RTSP (Real Time Streaming Protocol) streaming. This enables you to monitor your home or office space in real time even when you are on the go.

### FLEXIBLE CONNECTIVITY

Power over Ethernet (PoE) connectivity allows for discreet installation in virtually any indoor location. For effective surveillance around any space, this camera's built-in 802.3af compliant PoE module eases the installation process by reducing the need to lay additional cabling. In addition, the 10/100BASE-TX Ethernet port connects seamlessly to local network or to the Internet via a gateway router. The camera can be accessed and viewed from any network place as a device on the network. The DCS-6410 also features an RCA connector which can be integrated easily into your existing analog CCTV (Closed Circuit Television) system; helping you migrate from an existing analog security system to an IP-based solution.

### EASY TO INSTALL AND EASIER TO MANAGE

The DCS-6410 can be mounted on a flat surface or with a drop-ceiling bracket. Manage and monitor upto 32 cameras using D-Link's D-ViewCam software. You can also set up automated e-mail alerts to be instantly informed of unusual activities. In addition, this network camera supports the Universal Plug-n-Play feature, which allows computers running on Windows XP/Vista to automatically recognize the camera and adds it to the network. Sign up with one of the free Dynamic DNS services available on the web, to assign a name and domain to the camera (for example, mycamera.dlinkddns.com). This allows you to remotely access the camera without having to remember the IP address.

#### WHAT THIS PRODUCT DOES

The DCS-6410 is a PoE-enabled network camera with day and night recording capability designed to deliver clear, high-resolution images. Using the built-in infrared LEDs, the network camera can effectively monitor distances of up to 49 feet at night. The camera supports dual-stream output for simultaneous live monitoring and high-resolution recording. With 3GPP video support, monitor the camera remotely over the Internet. The DCS-6410's compact size and a stylish dome enclosure allows it to comfortably blend into any interior environment.

#### REMOTE MONITORING CAPABILITIES

The DCS-6410 supports 3GPP mobile surveillance feature that enables you to view a live, camera feed on a 3G mobile phone or PDA. The bundled D-ViewCam software allows you to manage up to 32 cameras simultaneously, send automated e-mail alerts, and record video to your hard drive whenever unusual activity is detected.



#### TECHNICAL SPECIFICATIONS

##### NETWORK PROTOCOL SUPPORT

- TCP/IP, RTSP, RTP, RTCP, HTTP, SMTP, FTP, NTP, DNS, DHCP, UPnP, DDNS, PPPoE, ICMP, Samba client, 3GPP

##### BUILT-IN NETWORK INTERFACE

- 10/100BASE-TX Ethernet Port

##### LAN

- IEEE 802.3 compliant
- IEEE 802.3u compliant
- IEEE 802.3af PoE compliant
- Supports Full-Duplex operations
- Supports 802.3x Flow Control support in Full-Duplex mode

##### CAMERA SPECIFICATIONS

- Built-in 1/3-inch CCD sensor
- Minimum Illumination:
  - 0.1 lux @ F1.6 (typical)
  - 0 lux (15 meter range with IR LEDs)
- Lens: 4.3mm, F1.6
- Resolution: 420 TV lines
- AGC / AWB / AES
- Electronic Shutter:
  - NTSC: 1/60 ~ 1/100,000 sec
  - PAL: 1/50 ~ 1/110,000 sec
- IR LEDs (15 meter range)
- Field Of View:
  - 92.4° diagonal
  - 55.3° vertical
  - 73.1° horizontal

##### VIDEO FEATURES

- Adjustable image size and quality
- Time stamp and text overlays
- Motion adaptive de-interlacing
- 16x digital zoom

##### PAN AND TILT FUNCTIONS

- Pan Range: 170° ~ -170° (manual)
- Tilt Range: 60° ~ -15° (manual)

##### VIDEO RESOLUTION

- NTSC support:
  - up to 30 fps at 176x120
  - up to 30 fps at 352x240
  - up to 30 fps at 704x480
- PAL support:
  - up to 25 fps at 176x144
  - up to 25 fps at 352x288
  - up to 25 fps at 704x576

##### VIDEO ALGORITHM SUPPORT

- Simultaneous MPEG4/MJPEG dual format compression
- Simultaneous profile support for web viewing, 3G mobile viewing and video recording
- JPEG for still images

##### AUDIO

- Sampling Rate:
  - GSM-AMR: 12.20 Kbps
  - PCM: 8 Kbps
- Full duplex audio communication

##### LED INDICATORS

- Link & Power

##### I/O CONNECTORS

- 2 inputs
- 1 output

##### PORT SUPPORT FOR EXTERNAL PT DEVICES

- RS-485

##### MEMORY

- SDRAM: 64 MB
- Flash ROM: 8 MB

##### RESET BUTTON

- Reset to factory default settings

##### SYSTEM REQUIREMENTS

- Windows XP, Vista

##### REMOTE MANAGEMENT

- Configuration is accessible via web browser
- View and record video via web browser

##### SECURITY

- Administrator and user group protected
- Password authentication

##### D-VIEWCAM SOFTWARE FUNCTIONS

- Remote management and control of up to 32 IP cameras
- View up to 32 cameras on one screen
- Supports all management functions provided in web interface
- Scheduled motion triggered or manual recording options

##### OPTIONAL ACCESSORIES

- External Speakers

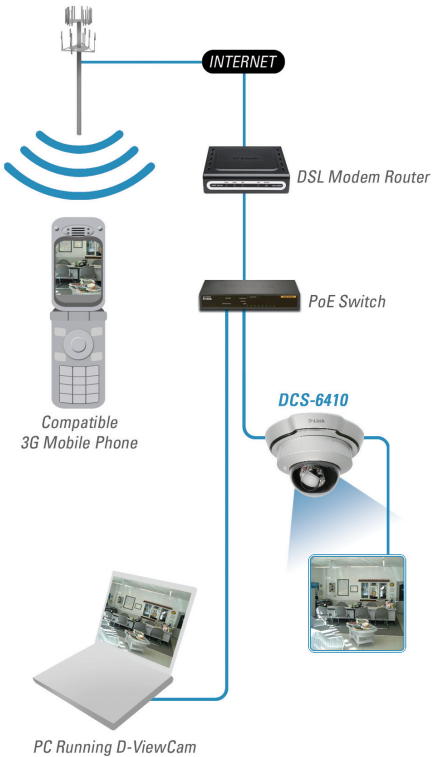
##### POWER INPUT

- 100-240V AC, 50/60 Hz, 1A

##### POWER OUTPUT

- 12V DC, 1.25A

#### YOUR NETWORK SETUP



#### POWER CONSUMPTION

- 11.04 watts maximum

#### DIMENSIONS

- 195 (W) x 180 (D) x 110 (H) mm

#### WEIGHT

- 575.5g

#### OPERATING TEMPERATURE

- 0° to 40°C (32° to 104°F)

#### STORAGE TEMPERATURE

- -20° to 70°C (-4° to 158°F)

#### HUMIDITY

- 20 to 80% non-condensing

#### EMISSION (EMI), SAFETY & OTHER

#### CERTIFICATIONS

- FCC Class B
- IC
- CE
- C-Tick

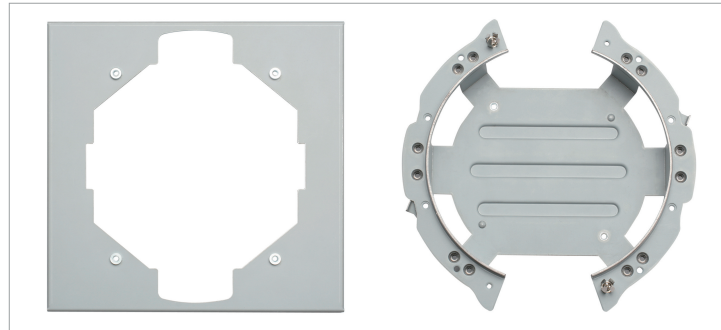
#### Surface Installation



#### Drop-ceiling Installation



#### Drop-ceiling Bracket (optional)



<sup>1</sup> The mobile device must have 3G support and subscribe to 3G service from the phone service provider. The playback device must be equipped with 3G video playback such as RealPlayer™ or PacketVideo™.



D-Link Corporation  
No. 289 Xinhu 3rd Road, Neihu, Taipei 114, Taiwan  
Specifications are subject to change without notice.  
D-Link is a registered trademark of D-Link Corporation and its overseas subsidiaries.  
All other trademarks belong to their respective owners.  
©2009 D-Link Corporation. All rights reserved.  
Release 02 (March 2009)