



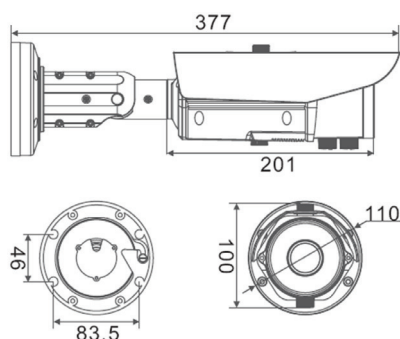
DCS-F4722E

4 MP FULL HD OUTDOOR BULLET CAMERA

KEY FEATURES

- 1/3" Progressive Scan CMOS
- Motorized lens 2.8-12mm
- 4MP@30fps, 3MP@30fps, 1080P @30fps
- Triple Streams
- Smart IR Range 30-40m
- Low bitrate, Excellent low light performance
- WDR, 3D DNR
- ROI, Defog, HLC, Corridor mode, DIS

DIMENSION



ACCESSORIES



CAMERA	
Image Sensor	1/3" Progressive Scan CMOS
Min. illumination	Color 0.05Lux; IR ON 0 Lux
Day & Night	ICR
Shutter Speed	1/5-1/20000
Auto Iris	Yes
Wide Dynamic Range	WDR>120dB
Digital Noise Reduction	2D/3D
Lens	Motorized Lens 2.8-12mm
FOV	90°~ 35°
IR LED	17pcs
IR Range	30-40m
IMAGE	
Video Compression	H.264/265, MJPEG
Bit Rate (CBR/VBR)	Main stream:500kb-12000kb ;Sub stream 100kb-6000kb
Audio Compression	G.711 ,RAW_PCM
Max.Resolution	2592*1520/2560*1440/30fps,2304*1296/30fps,1920*1080/30fps
Stream	Stream1 2592*1520/2560*1440/2304*1296/1920*1080 Stream 2 D1 to QVGA
Image Setting	Rotate Mode, Saturation, Brightness, Contrast, Sharpness
HLC	Yes
9:16 Corridor mode	Yes
DIS	Auto
ROI	Yes
Defog	Yes
NETWORK	
Network Protocols	IPv4, 802.1x, HTTP, HTTPS, TCP/IP, UDP/IP, RTSP, DHCP, NTP, RTPC/RTP, PPPoE, SMTP, DNS, UPnP, FTP, ICMP, IGMP, Unicast and Multicast
Alarm Trigger	Perimeter, Single Virtual Fences, Double Virtual Fences, Loiter, Multi Loiter, Object Left , Object Removed, Abnormal Speed, Converse, Illegal Parking, Signal Bad ,Motion Detection ,Network disconnect, Disk alarm, I/O alarm
RTSP Video	Standard RFC2326, Support QuickTime / VLC Player.
Security	User security authentication, Reset, Hardware Watch Dog
Web Language	English, Chinese, Polish, Italian, Portuguese, Spanish (Sunell Brand)
System Compatibility	Onvif
INTERFACE	
Ethernet	I1 Ethernet (10/100 Base-T) RJ-45 Connector
Audio I/O	1ch Audio In&1ch Audio Out
Alarm I/O	1ch Alarm In&1ch Alarm Out
RS485	Yes
BNC Output	Yes
Reset Button	Yes
Edge Storage	Micro SD/SDHC/SDXC slot ,Max 128GB
GENERAL	
Power Supply	DC12V/POE
Power Consumption	5W(IR LED OFF) 8W IR LED ON
Operating Temperature	Starting Temperature: -30 °C ~ 60 °C (-22 °F ~ 140 °F) Working Temperature:-40 °C ~ 60 °C (-40 °F ~ 140 °F)
Operating Humidity	0% - 90% RH
Ingress Protection	IP66, IK10
Approvals	CE / FCC
Product Dimensions	φ110×377mm
Product Weight	1680g