



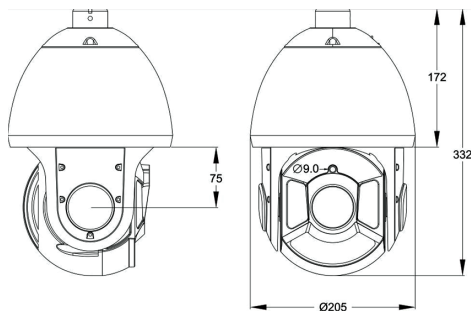
DCS-F6930

30X DAY & NIGHT HIGH SPEED DOME NETWORK CAMERA

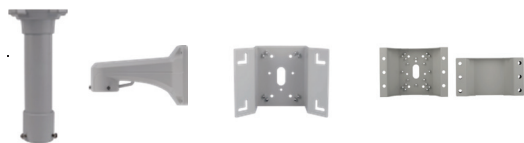
KEY FEATURES

- 1/2.8" Progressive Scan CMOS
- 30X Optical Zoom, 16X Digital Zoom
- 2048(H) x 1536(V)/30fps
- Multiple Streams
- Smart IR Range 150m
- Low bitrate, Good low light performance
- 3D DNR, dWDR, ICR
- Anti-reflection optical glass to increase infrared transmittance

DIMENSION



ACCESSORIES



CAMERA	
Image Sensor	1/2.8" Progressive Scan CMOS
Min. illumination	Color 0.07Lux; B&W 0.007Lux; IR ON 0 Lux
Day & Night	ICR
Shutter Speed	1/1-1/10000s
Auto Iris	Auto/Manual
Wide Dynamic Range	dWDR
Digital Noise Reduction	3D
Lens	30X Module, 4.3-129mm
Digital Zoom	16X
FOV	59.8° ~ 2.3°
IR LED	8 pcs
IR Range	150m
Pan/Tilt	Pan 0-360°, Tilt -10-90°
Pan/Tilt Speed	Pan: 0.01°/s ~ 180°/s, Tilt: 0.01°/s ~ 90°/s, Preset Speed Pan: 180°/s, Tilt: 90°/s
3D Position	YES
Coordinate Display	YES
Preset/Tour/Scan/Track	400/12/12/6
IMAGE	
Video Compression	H.265, H.264 High/Main/Baseline Profile, MJPEG
Bit Rate (CBR/VBR)	Main stream: 500kbps 12Mbps; Sub stream: 100kbps 4Mbps
Audio Compression	G.711 ,RAW_PCM
Max.Resolution	2048x1536/30fps
Stream	Stream1 2048x1536, 1920x1080, 1280x720 Stream 2 D1/CIF/QCIF/VGA/QVGA/640x360
Image Setting	Rotate Mode, Saturation, Brightness, Contrast, Sharpness
HLC	Yes
ROI	Yes
Defog	Yes
NETWORK	
Network Protocols:	IPv4/IPv6, RTSP/RTP/RTCP, TCP/UDP, HTTPS, DHCP, DNS, DDNS, PPPoE, SMTP
Alarm Trigger	Motion Detection, Line Crossing, Tamper, Area Intrusion, Camera Move, Dwell, Multiple Dwell, Retrograde Detection, Object Left, Object Remove, Abnormal Speed, Illegal Parking, Network Disconnect, Disk alarm, I/O alarm
RTSP Video	Standard RFC2326, Support QuickTime / VLC Player
Security	User security authentication, Reset, Hardware WatchDog
Web Language	English, Chinese, Polish, Italian, Portuguese, Spanish
System Compatibility	Onvif, GB, T28181
INTERFACE	
Ethernet	1 Ethernet (10/100 Base-T) RJ-45 Connector
Audio I/O	1ch Audio In, 1ch Audio Out
Alarm I/O	7ch Alarm In, 2ch Alarm Out
RS485	YES
BNC Output	YES
Reset Button	YES(Built-In)
Edge Storage	Micro SD/SDHC/SDXC slot(Built-in), Max 128GB
GENERAL	
Power Supply	AC24V/2.5A
Power Consumption	MAX 40W
Operating Temperature	Starting Temperature: -30°C~60°C (-22°F~140°F) Working Temperature: -40°C~60°C (-40°F~140°F)
Operating Humidity	0% - 90% RH
Protection	IP66, TVS4000V
Approvals	CE/FCC
Product Dimensions	∅ 205x332mm
Product Weight	4.35KG